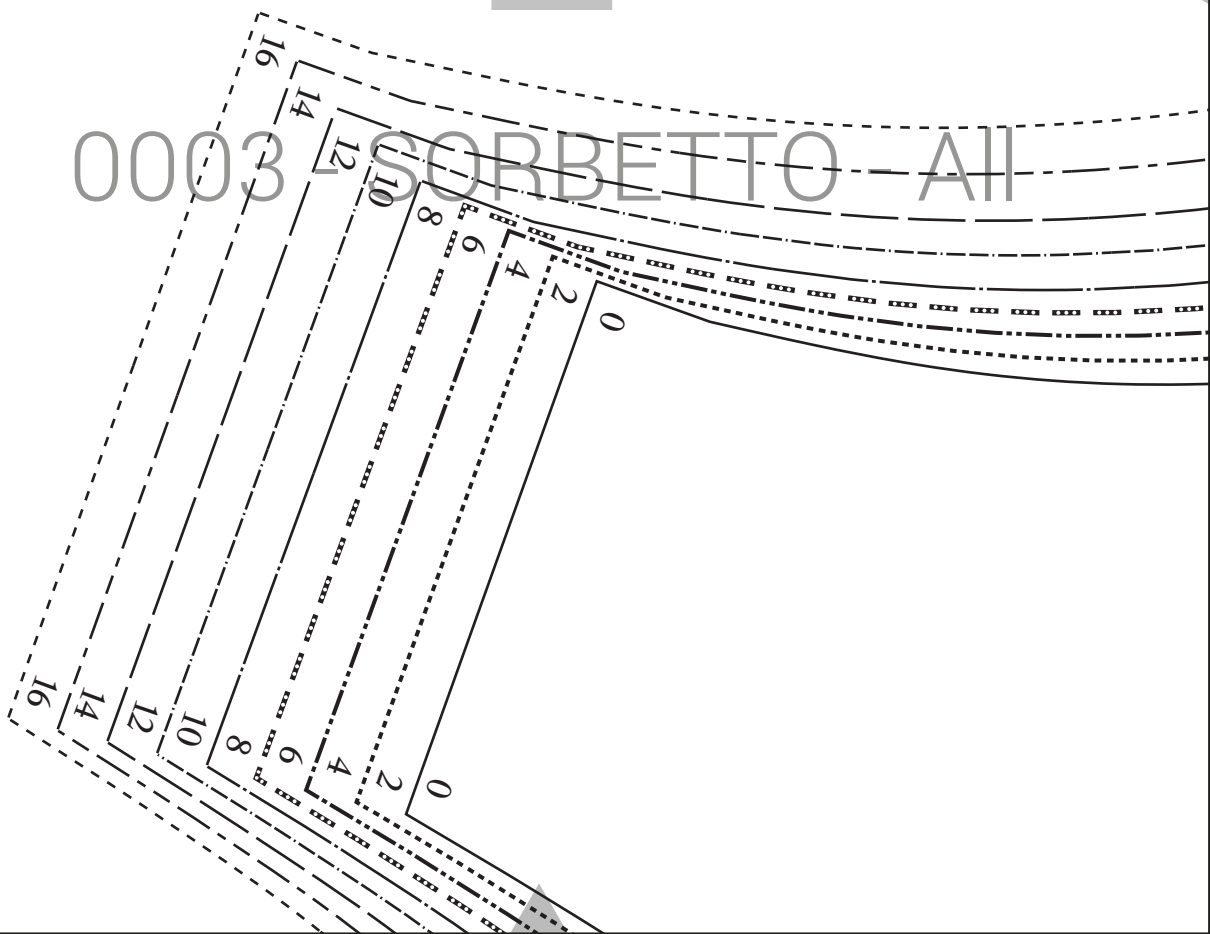


Test Square
4 inches by 4 inches

1

0003 SORBETTO - All





COLETTE

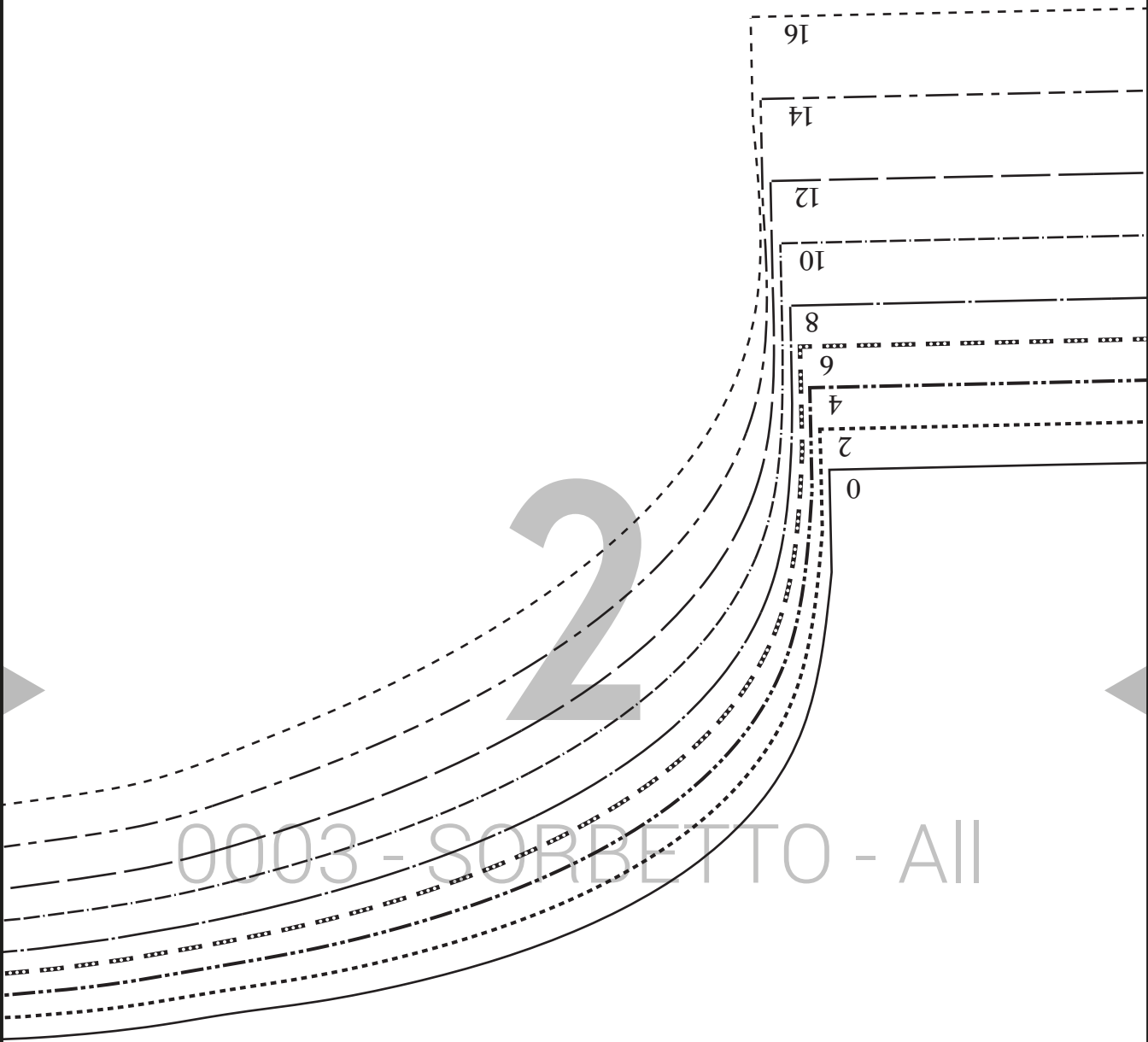
1037 - *Sorbetto*
VERSION 1

B

Back

Sizes 0 - 16

Main Fabric: Cut 1 on fold



0003 - SORBETTO - All

16

14

12

10

8

6

4

2

0

3


0003 - SORBETTO - All

lengthen or shorten here

16
14
12
10
8
6
4
2
0

4

0003 - SORBETTO - All



Key

0 _____

2

4

6
.....

8 _____

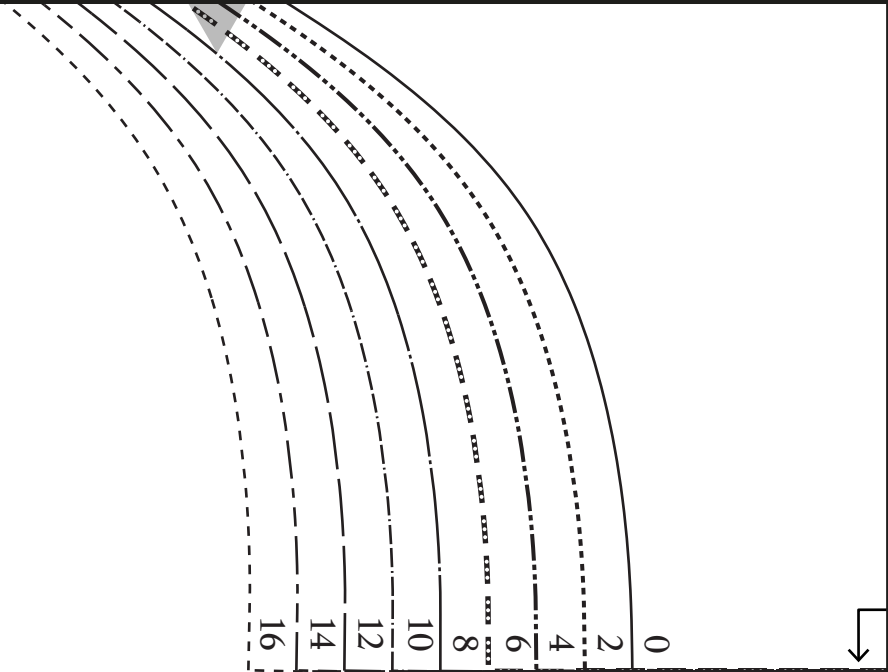
10

12

14

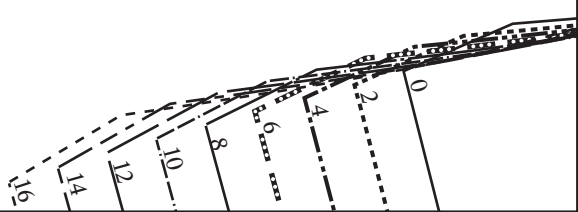
16

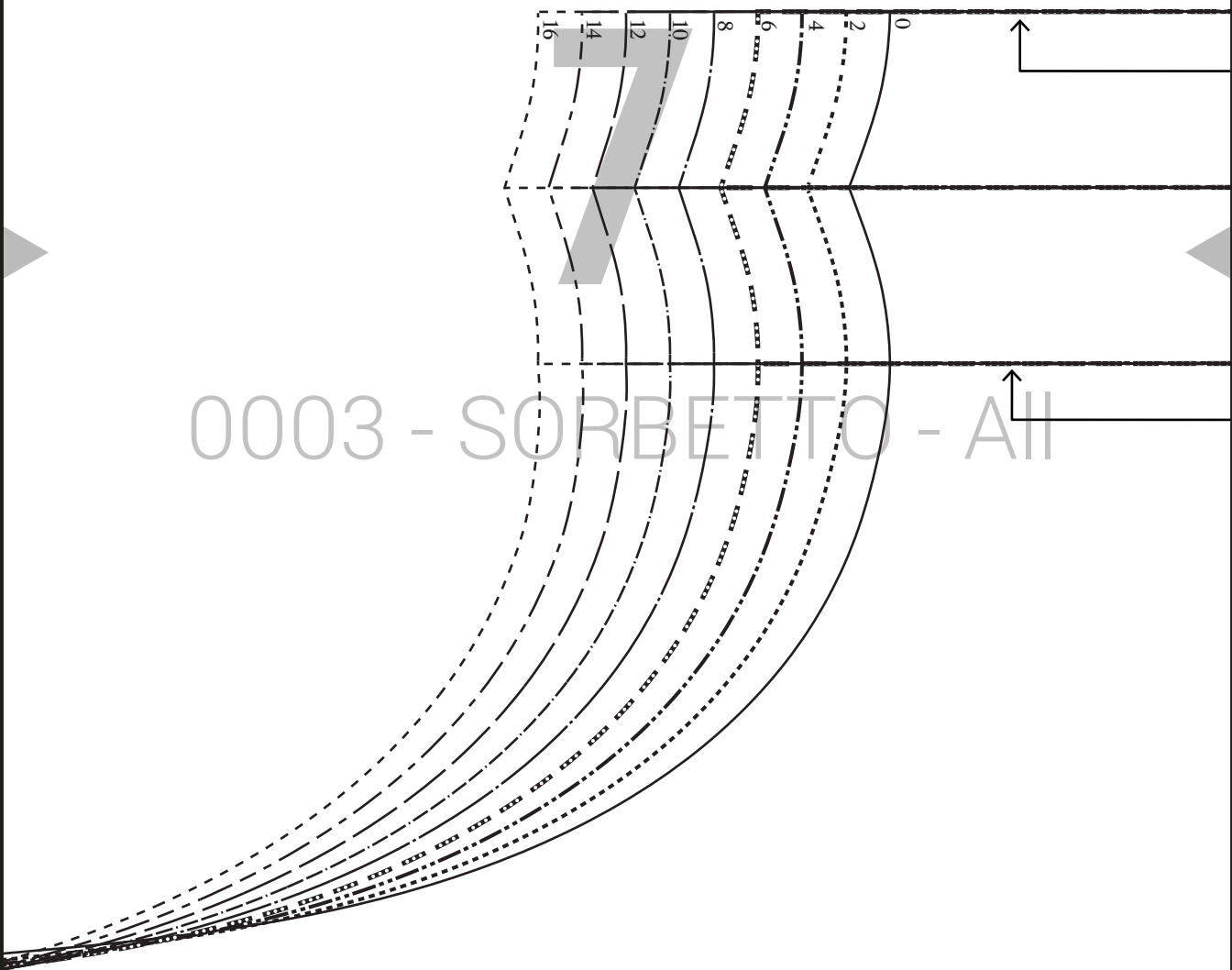
0003 - SORBETTO - All



6

0003 - SORBETTO - All





0003 - SORBETTO - All



COLETTE

1037 - *Sorbetto*
VERSION 1

A

Front
Sizes 0 - 16
Main Fabric: Cut 1 on fold

0003 - SORBETTO - All

cut on fold to eliminate pleat

fold line

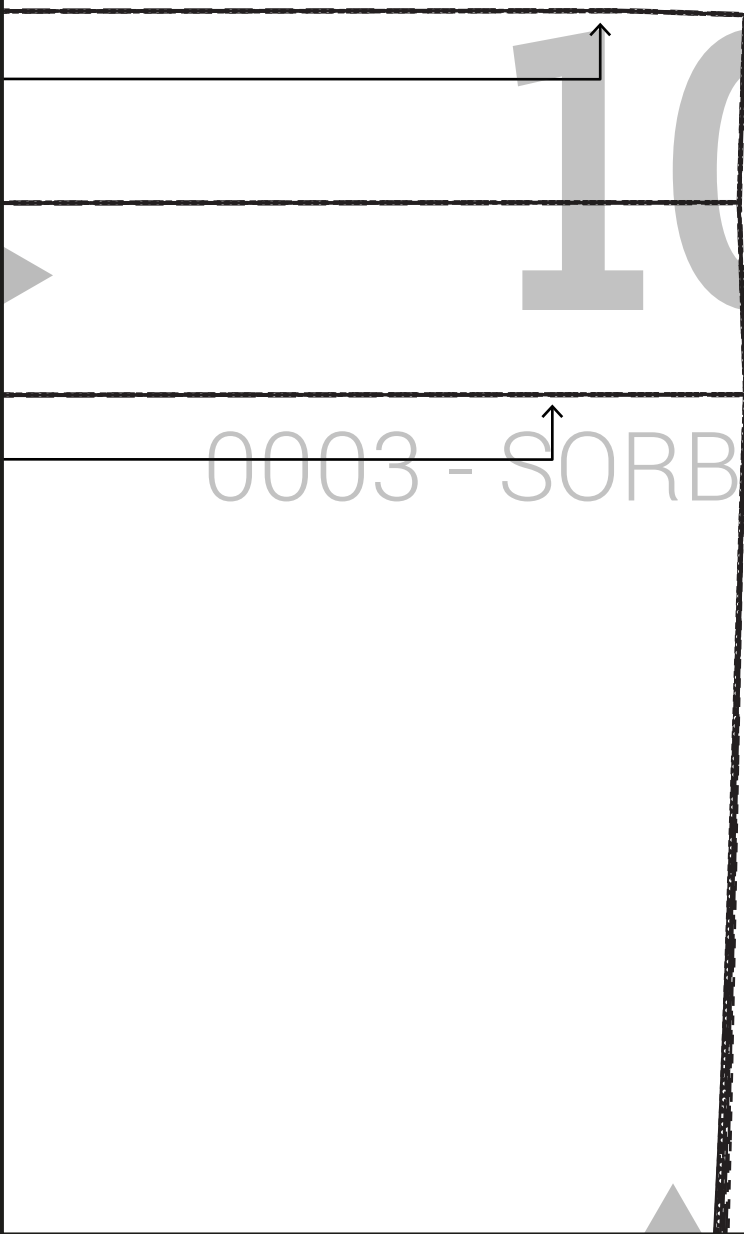
place on fold of fabric for pleat

place on fold of fabric



9

0003 - SORBETTO - All



10

0003 - SORBETTO - All



COLETTE

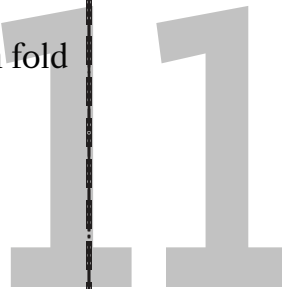
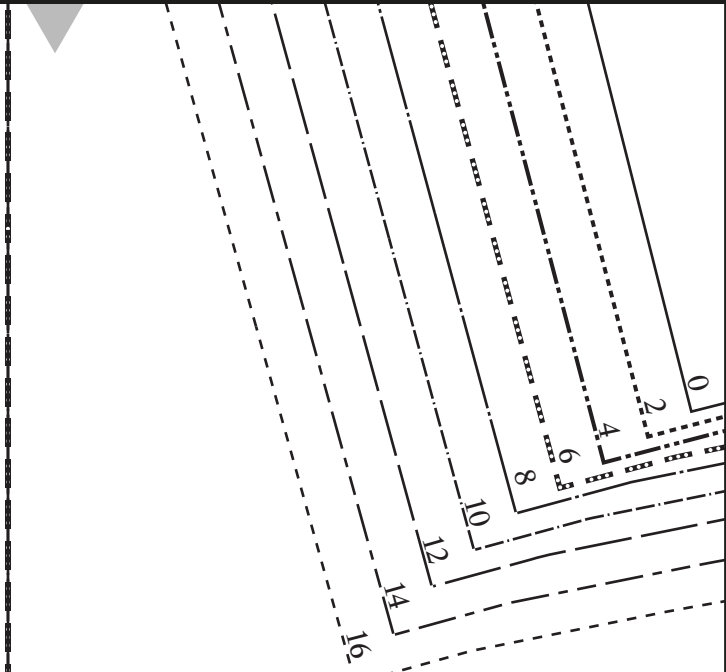
1037 - *Sorbetto*
VERSION 2

F

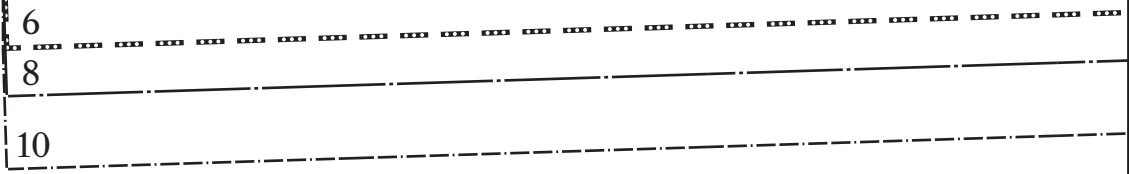
Back Hem Facing

Sizes 6 - 10

Main Fabric: Cut 1 on fold

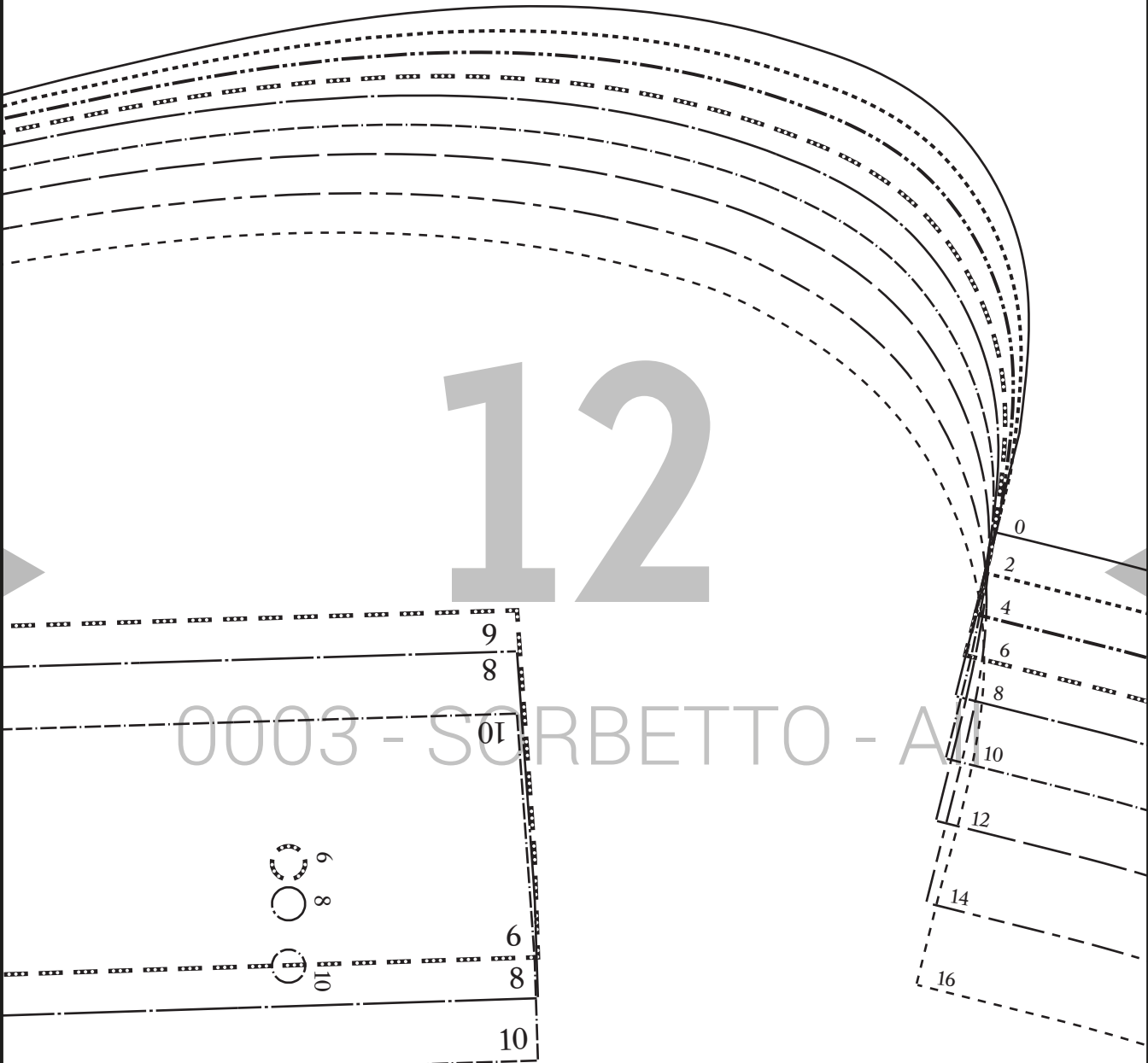


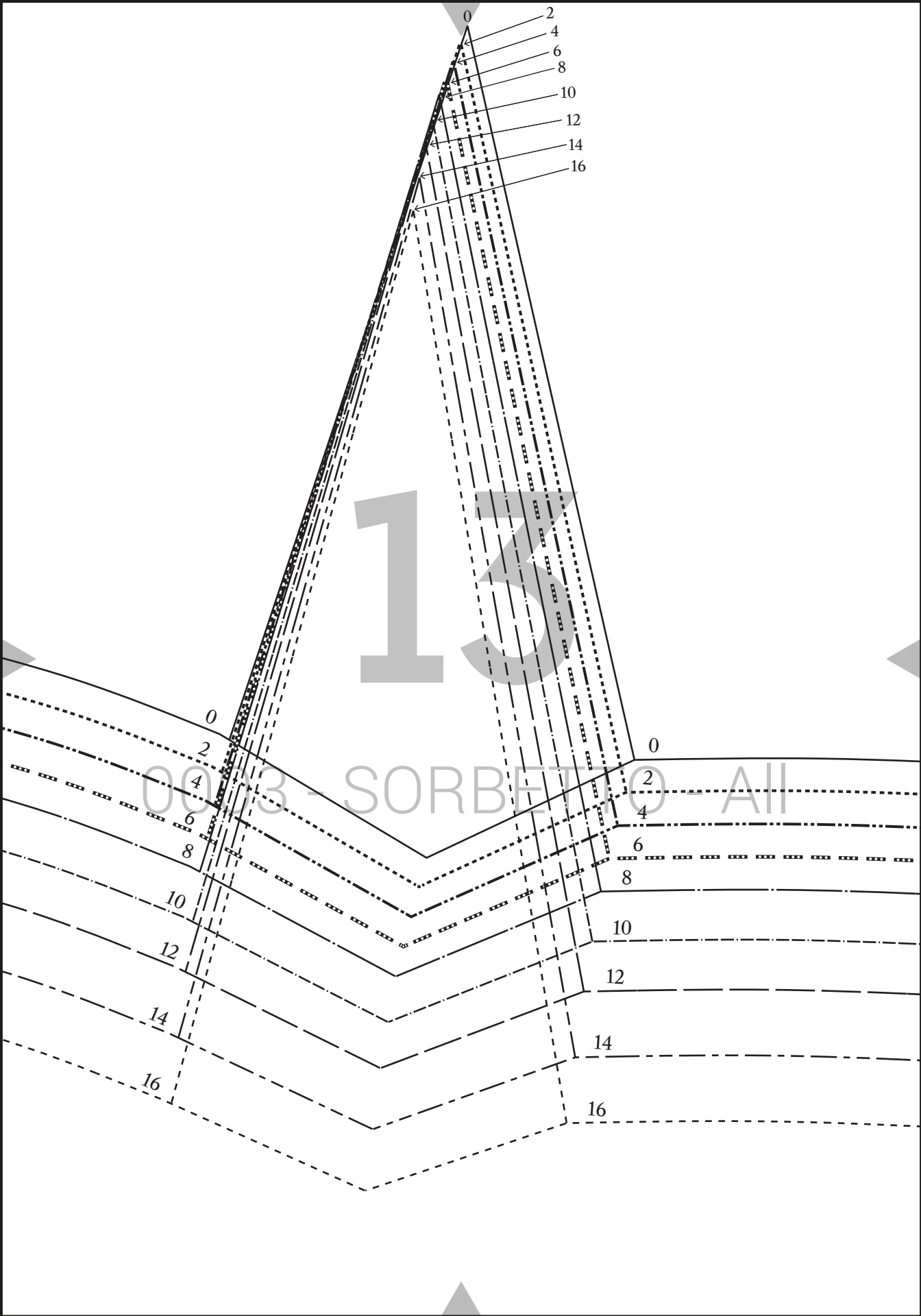
0003 - SORBETTO - All



12

0003 - SORBETTO - A

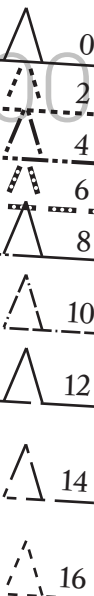




lengthen or shorten here

14

0003 - SORBETTO - All



0

2

4

6

8

10

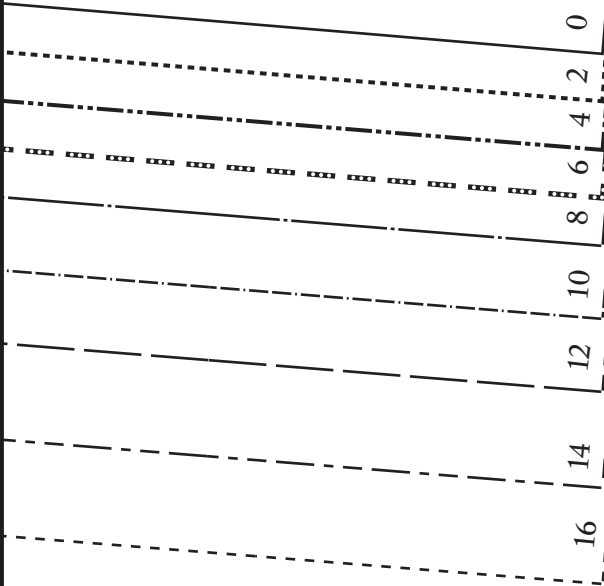
12

14

16

15

0003 - SORBETTO - All



↑
place on fold of fabric
↑



COLETTE

1037 - *Sorbetto*

VERSION 2

F

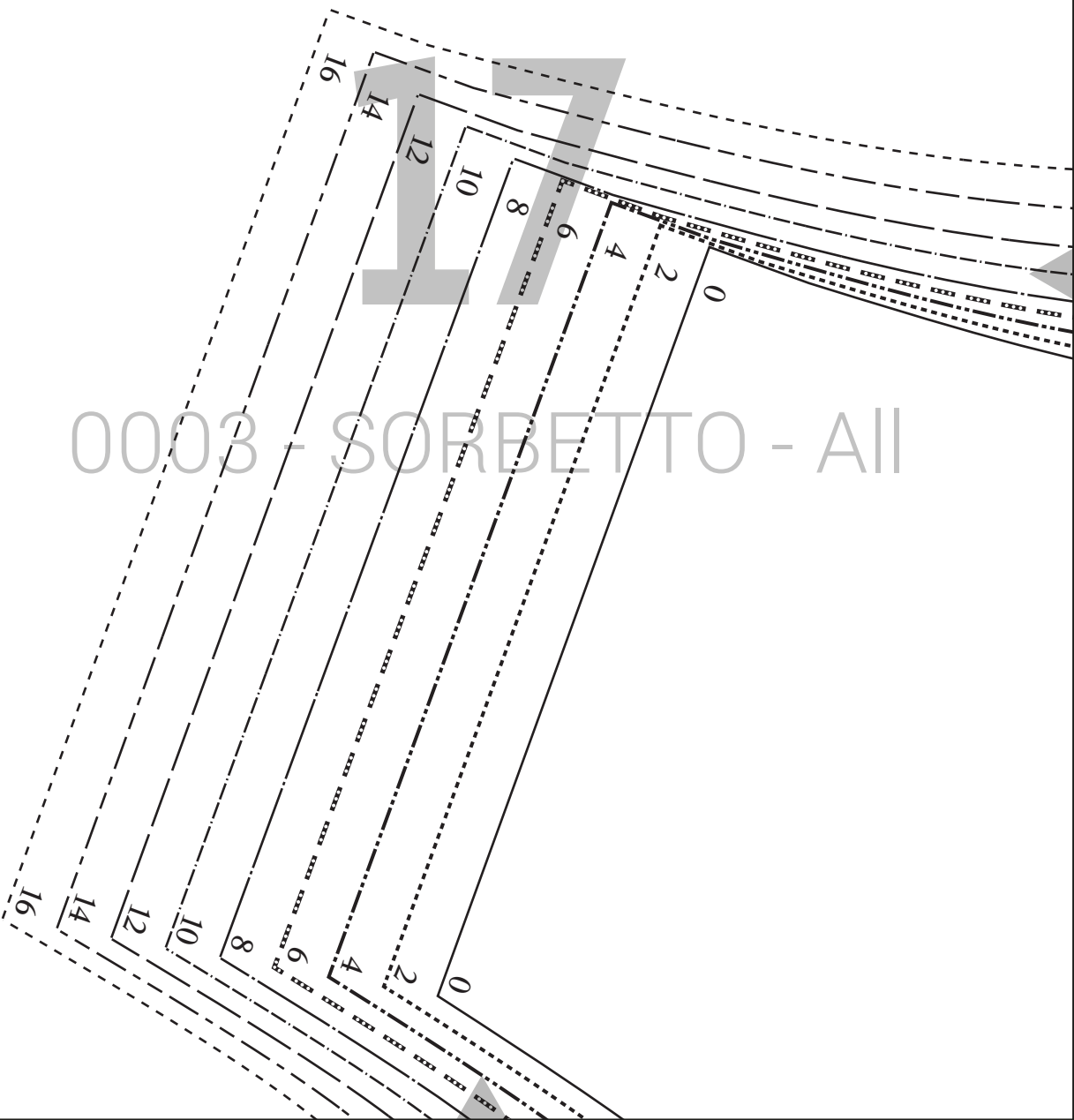
Back Hem Facing

Sizes 12 - 16

Main Fabric: Cut 1 on fold

16

SORBETTO - All



0003 - SORBETTO - All



COLETTE

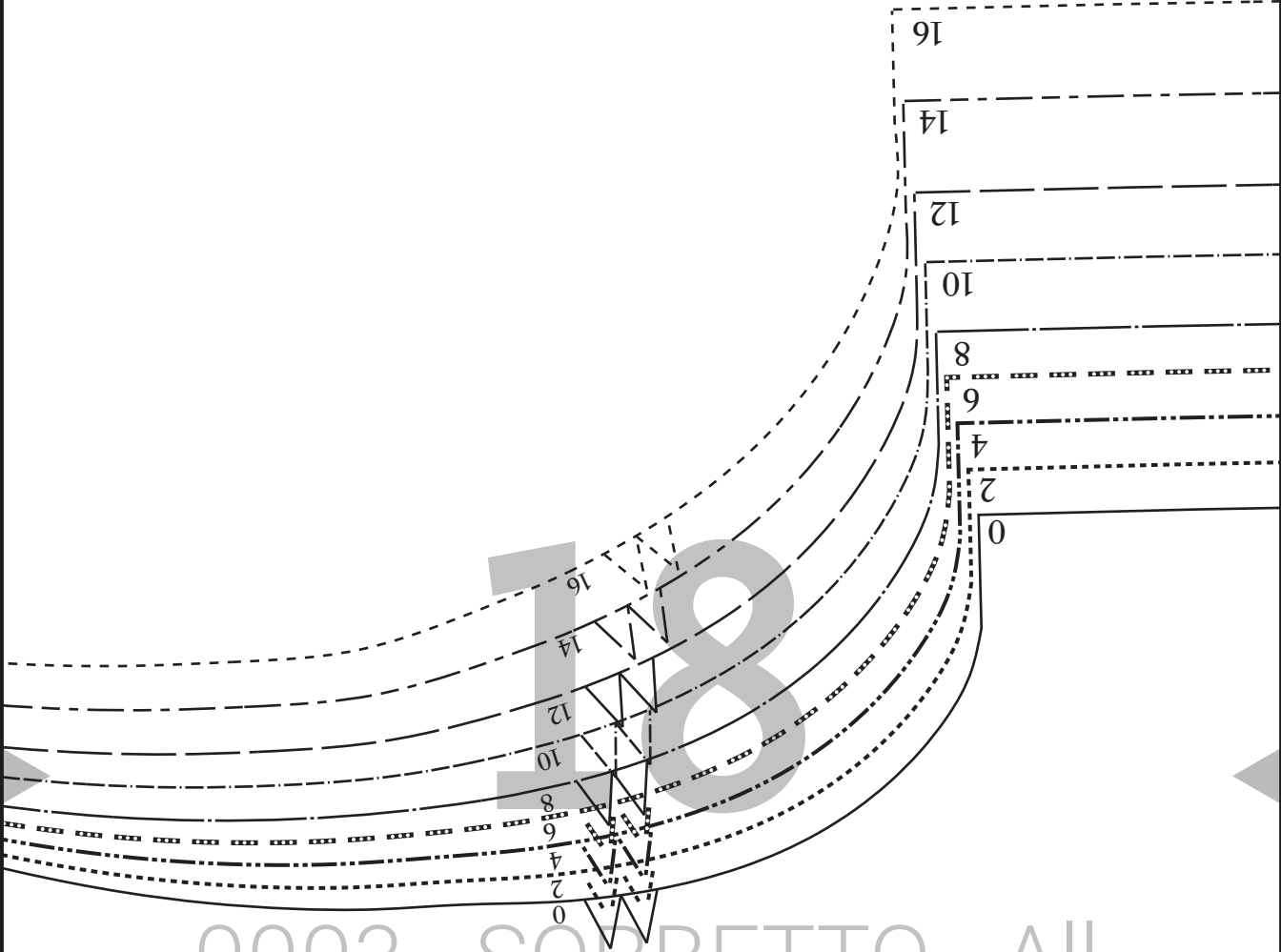
1037 - Sorbetto
VERSION 3

H

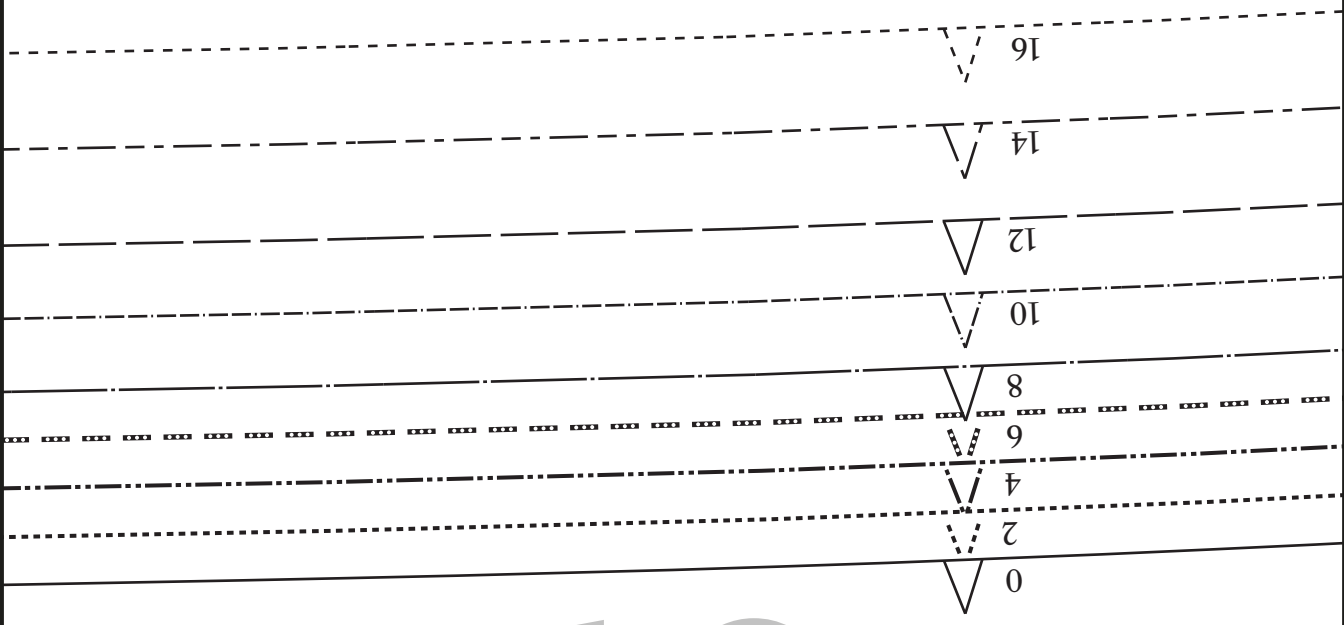
Back

Sizes 0 - 16

Main Fabric: Cut 1 on fold



0003 - SORBETTO - All



19

0003 - SORBETTO - All

16

14

12

10

8

6

4

2

0

20

0003 - SORBETTO - All

lengthen or shorten here

12

14

16

12

14

16

21

4

2

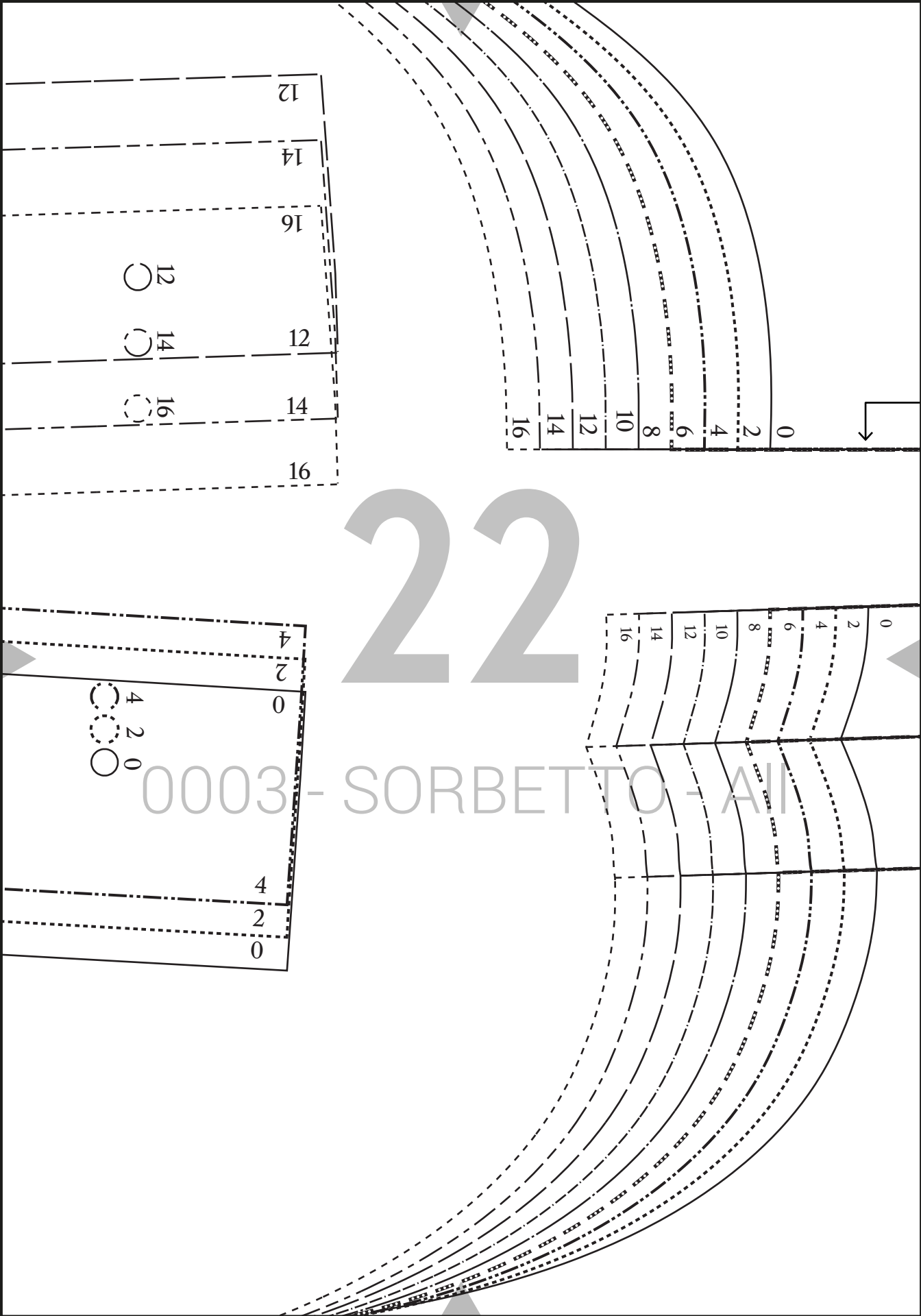
0

0003 - SORBETTO - All

4

2

0



22

0003 - SORBETTO - All



COLETTE

1037 - *Sorbetto*
VERSION 3

G

Front

Sizes 0 - 16

Main Fabric: Cut 1 on fold

23

0003 - SORBETTO - All

place on fold of fabric

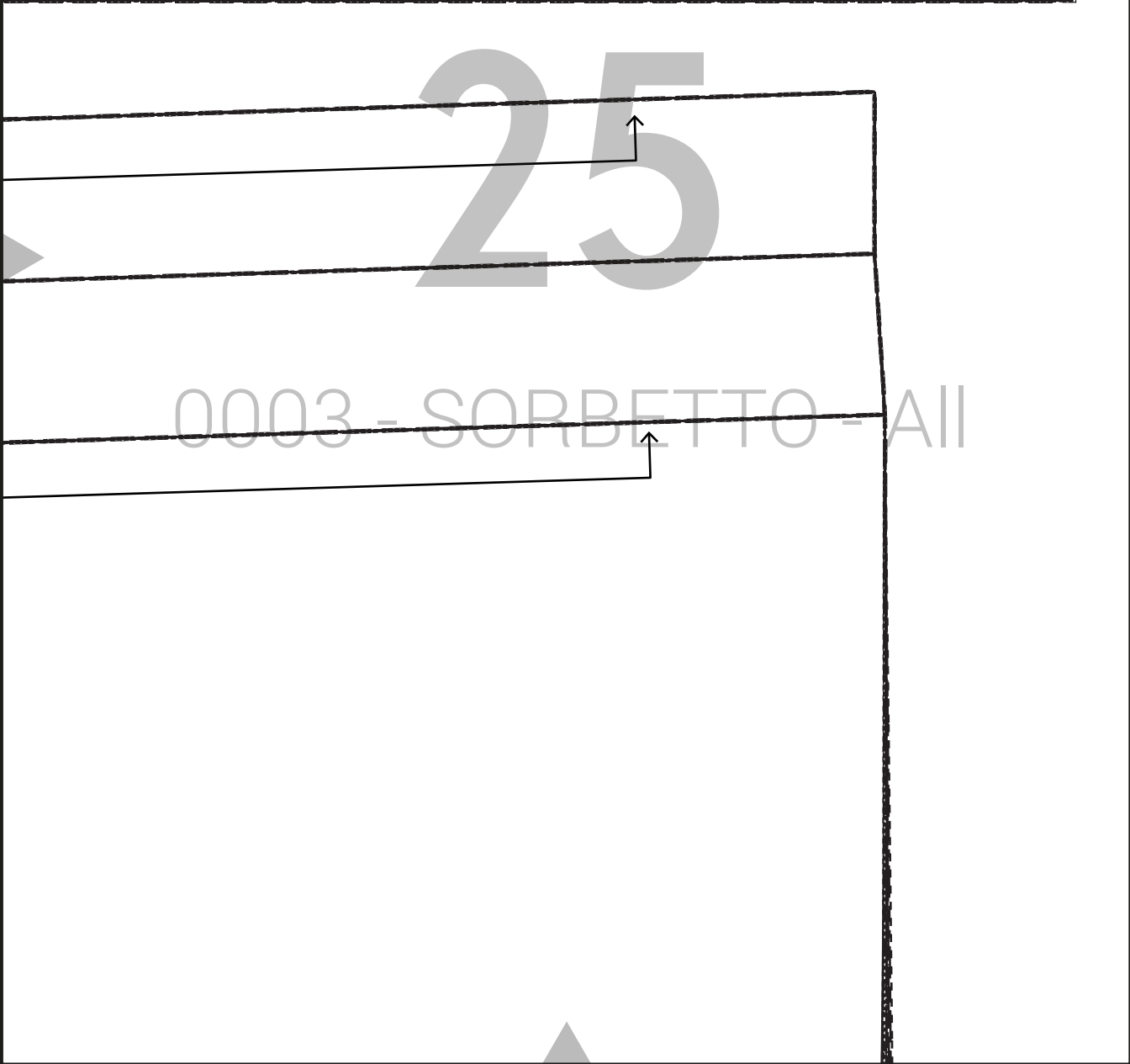
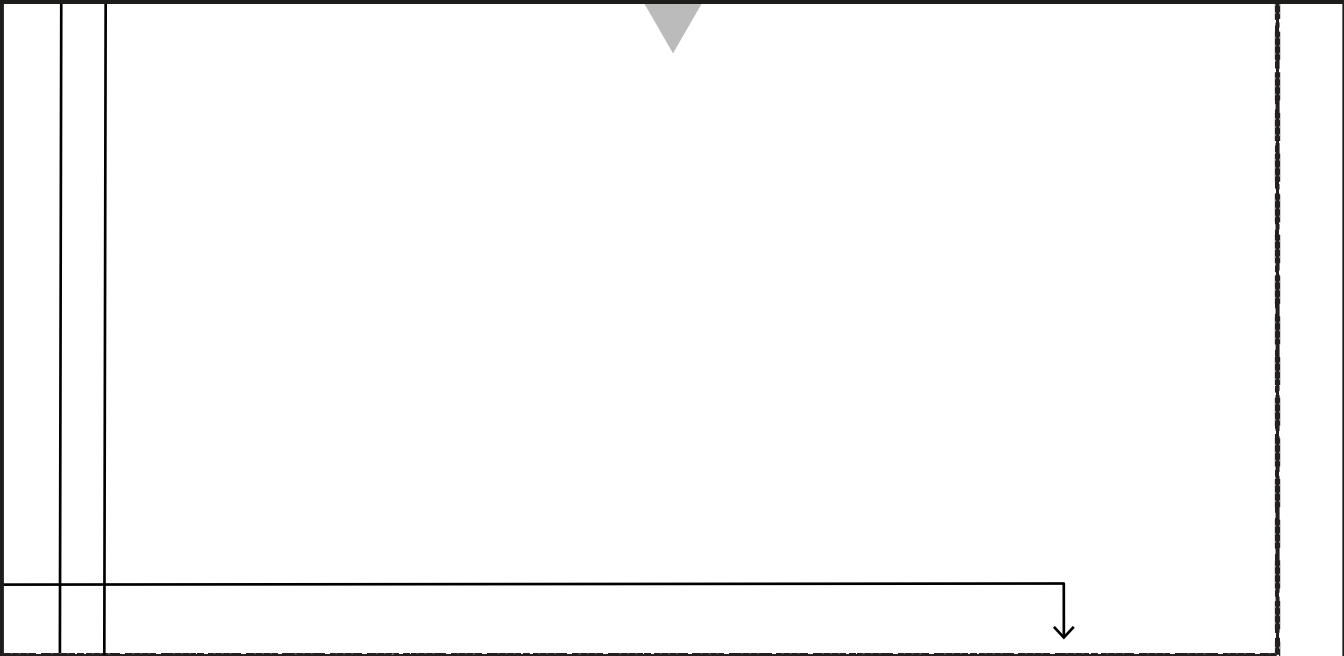
24

place on fold of fabric for pleat

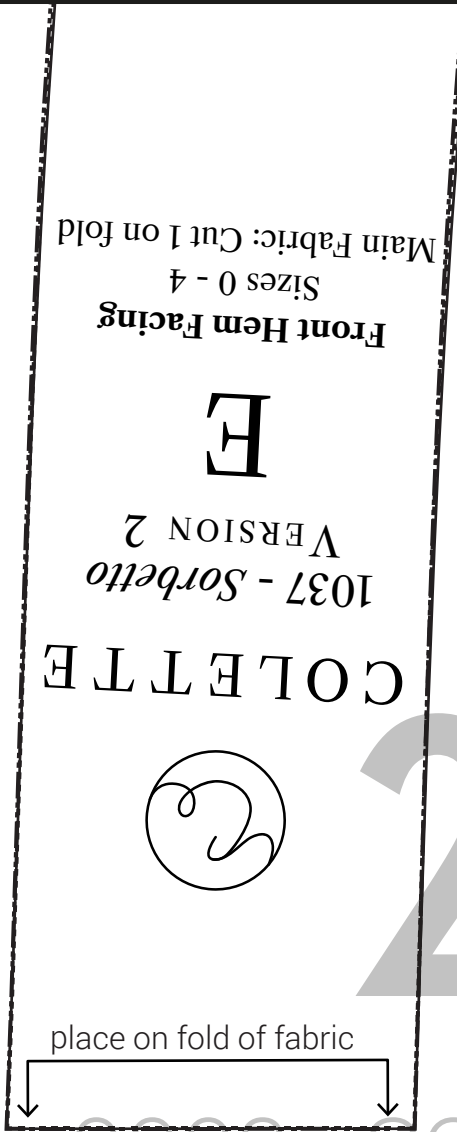
fold line

0003 - SORBETTO - All

cut on fold to eliminate pleat



0003 - SORBETTO - All



Main Fabric: Cut 1 on fold

Sizes 0 - 4

Front Hem Facing

E

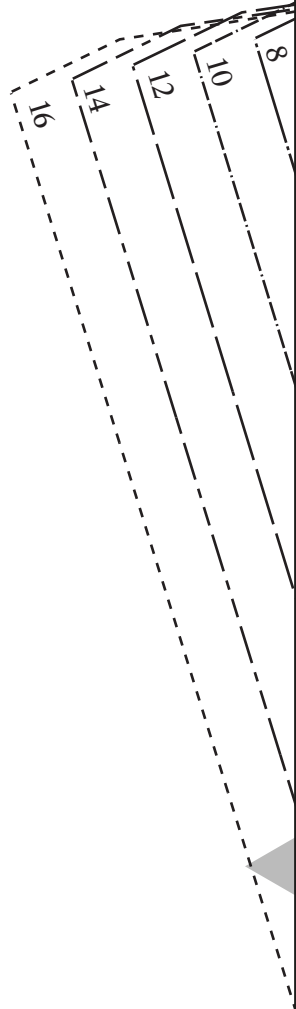
VERSION 2

1037 - Sorbetto

COLETTA



place on fold of fabric

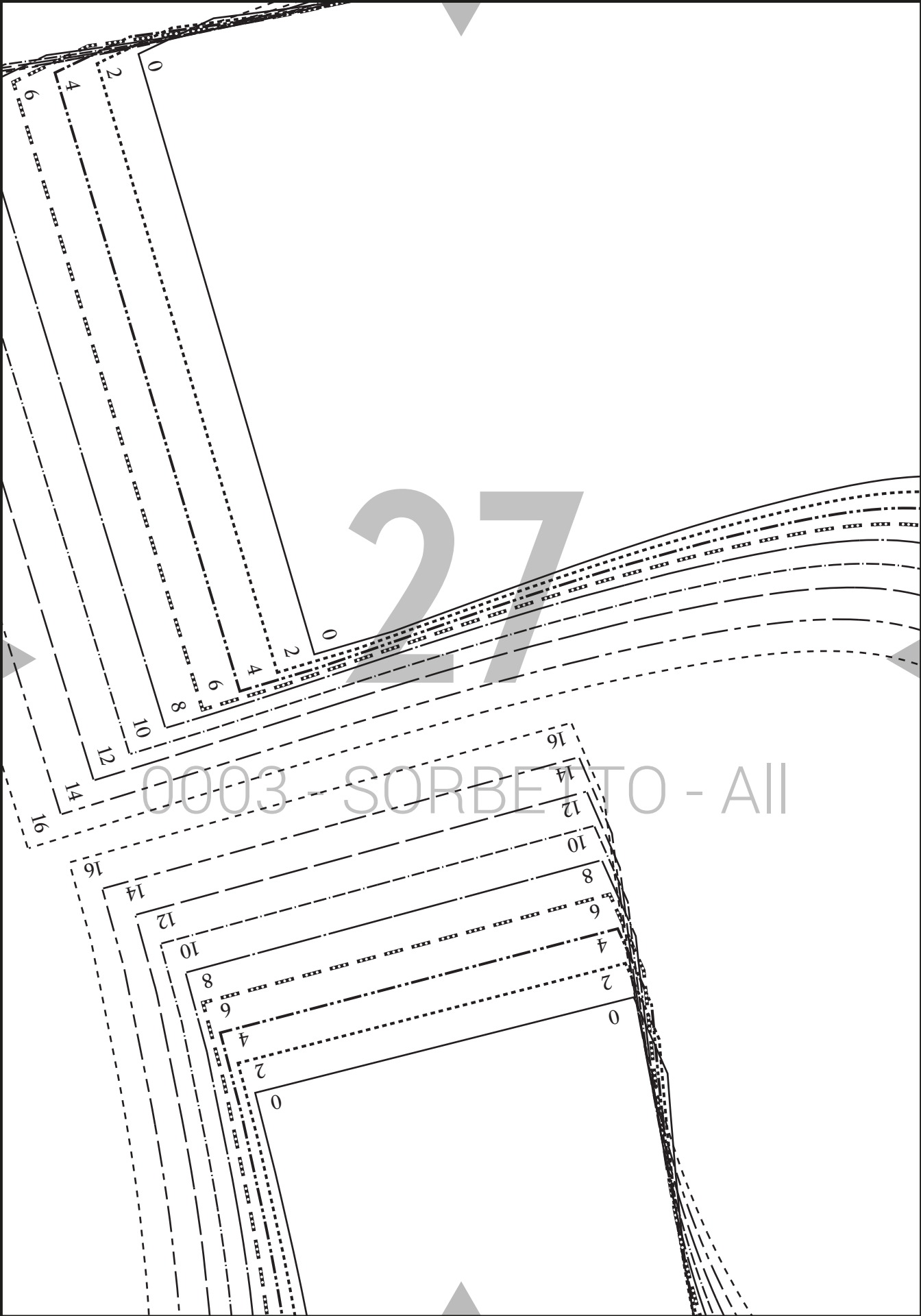


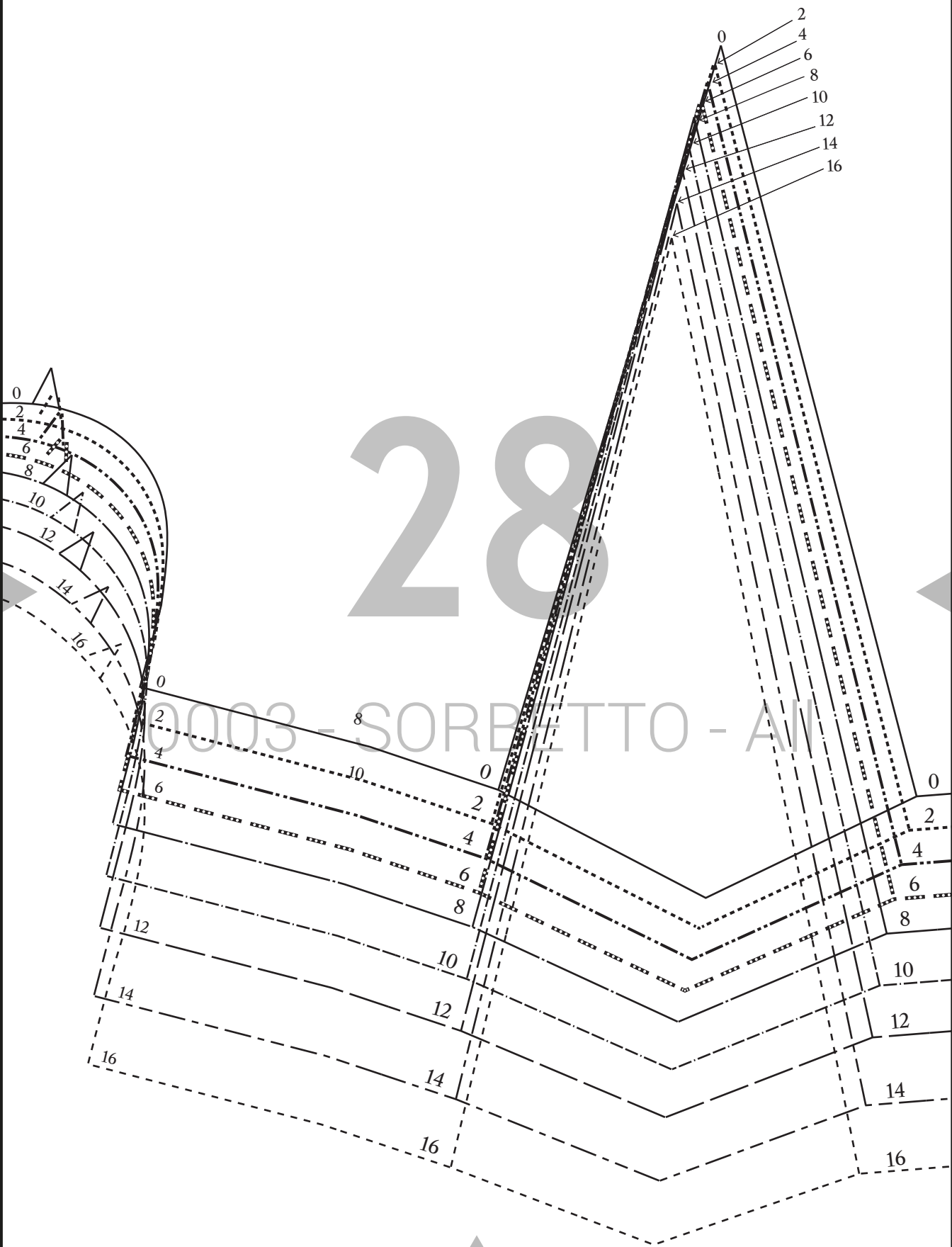
26

0003 - SORBETTO - All

27

0003 - SORBETTO - All





lengthen or shorten here

29

0003 - SORBETTO - All



0



2



4



6



8



10



12



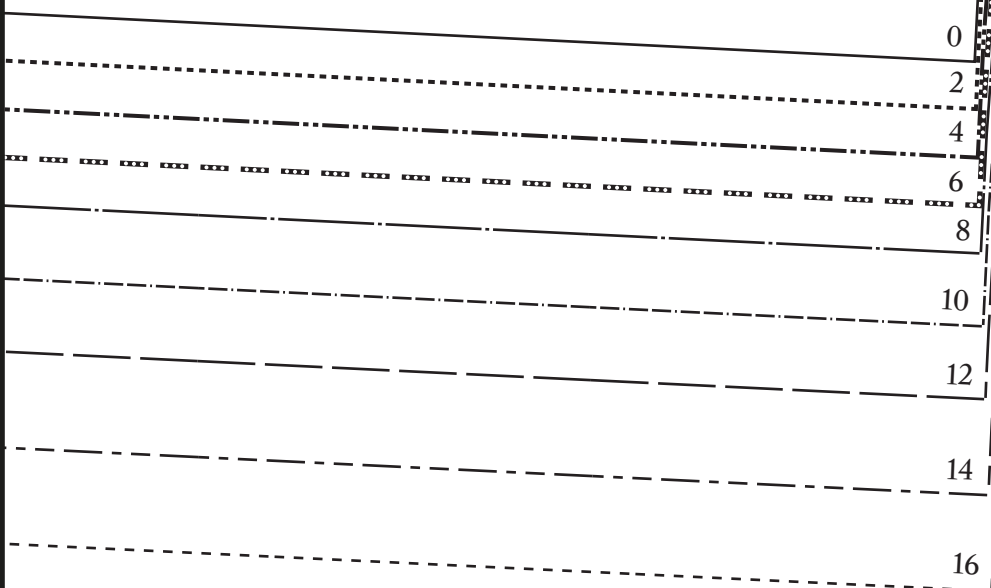
14



16

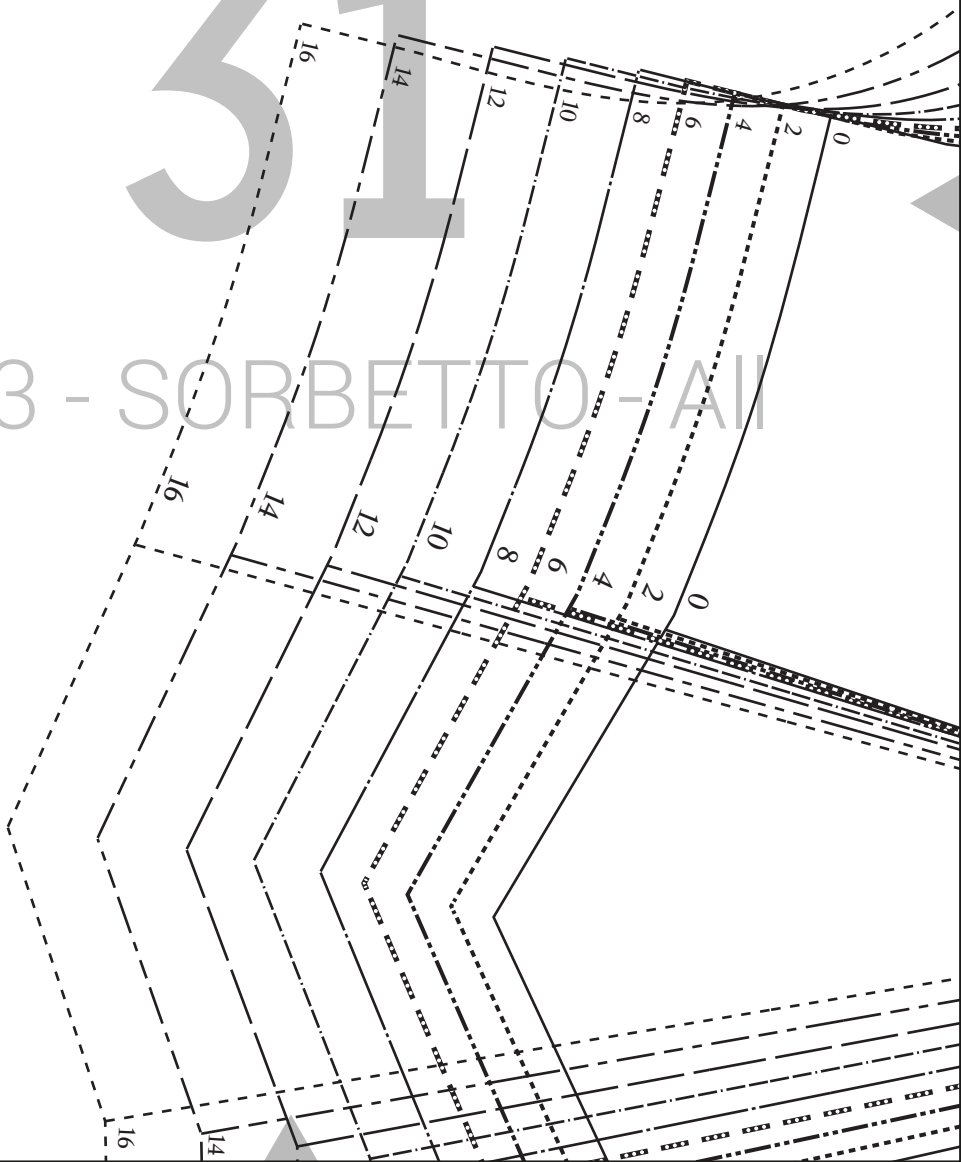
30

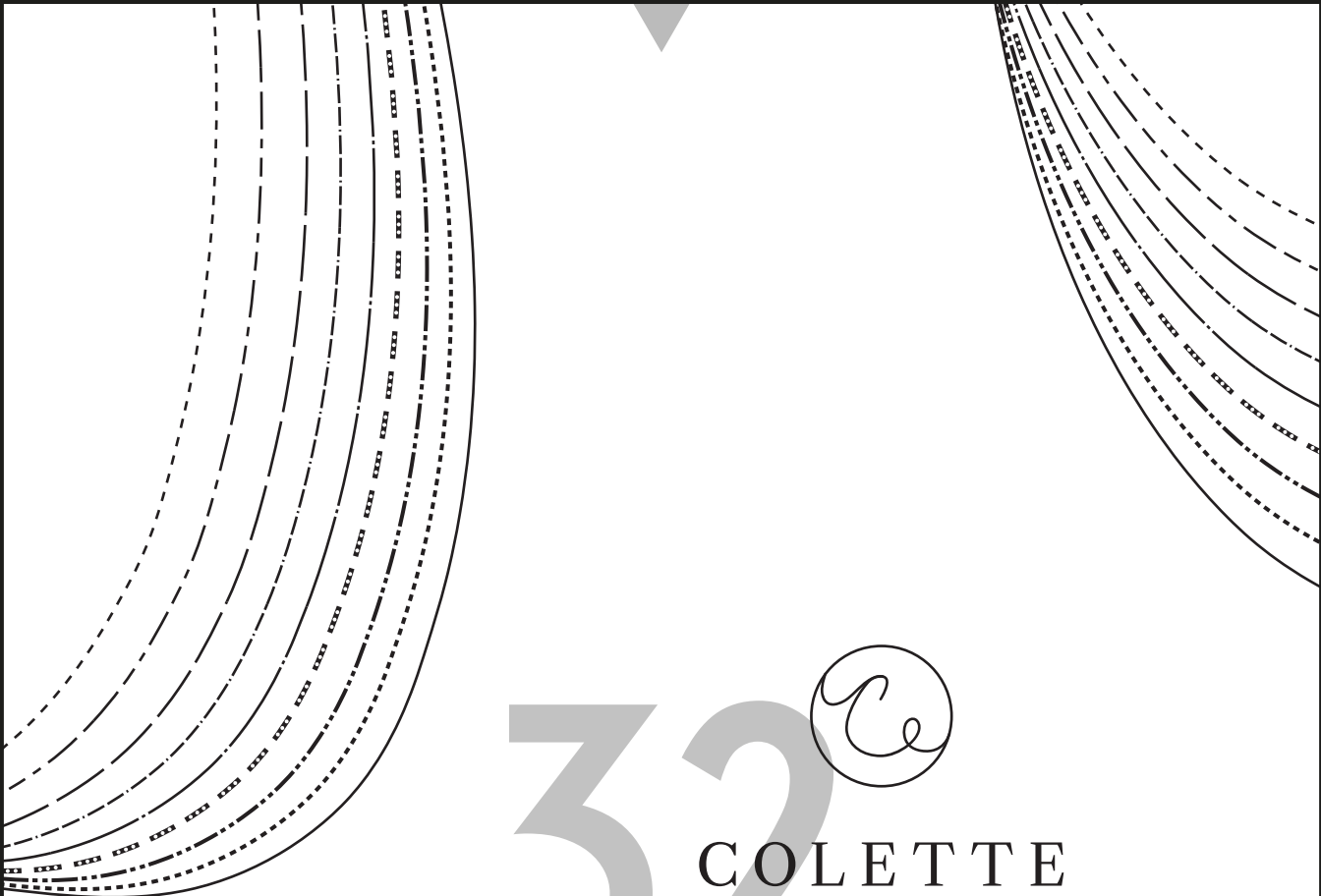
0003 - SORBETTO - All



31

0003 - SORBETTO - All





32



COLETTE

1037 - *Sorbetto*

VERSION 2

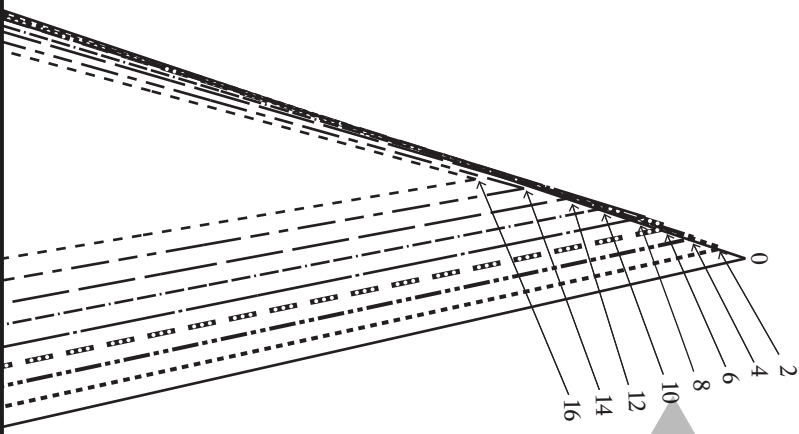
0003 - SORBETTO - All

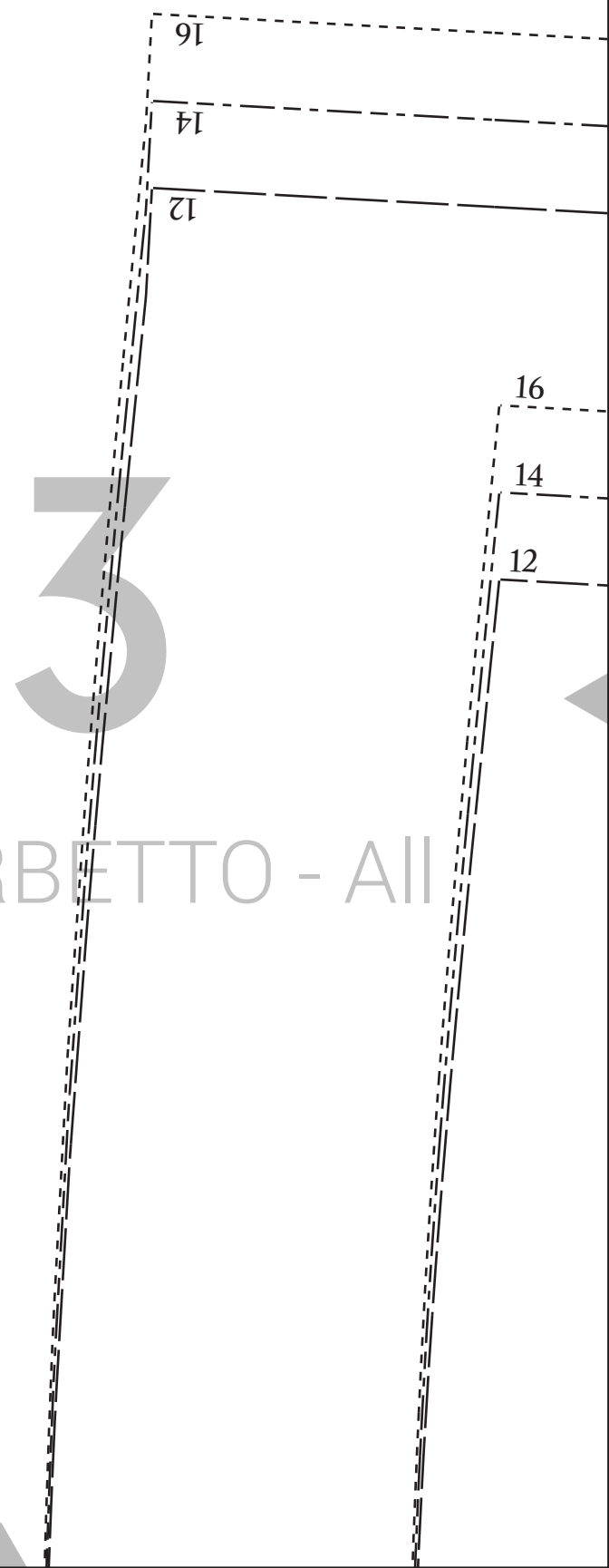
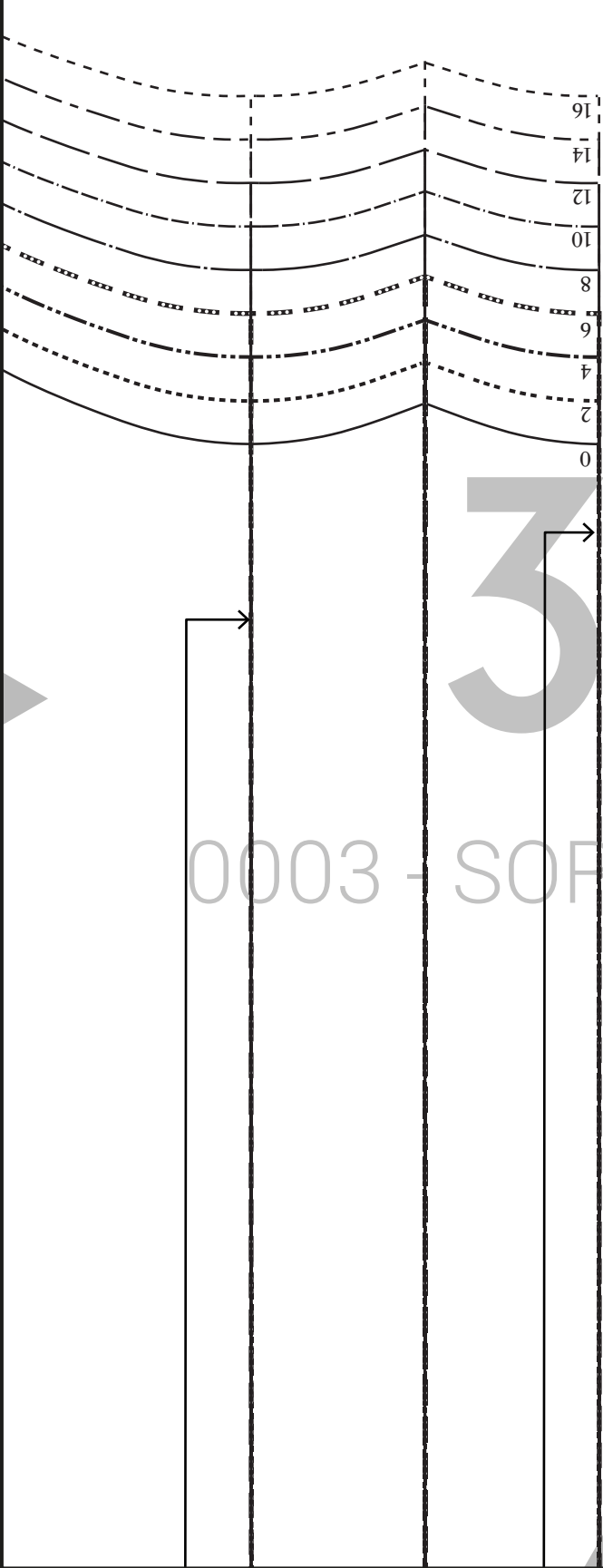
C

Front

Sizes 0 - 16

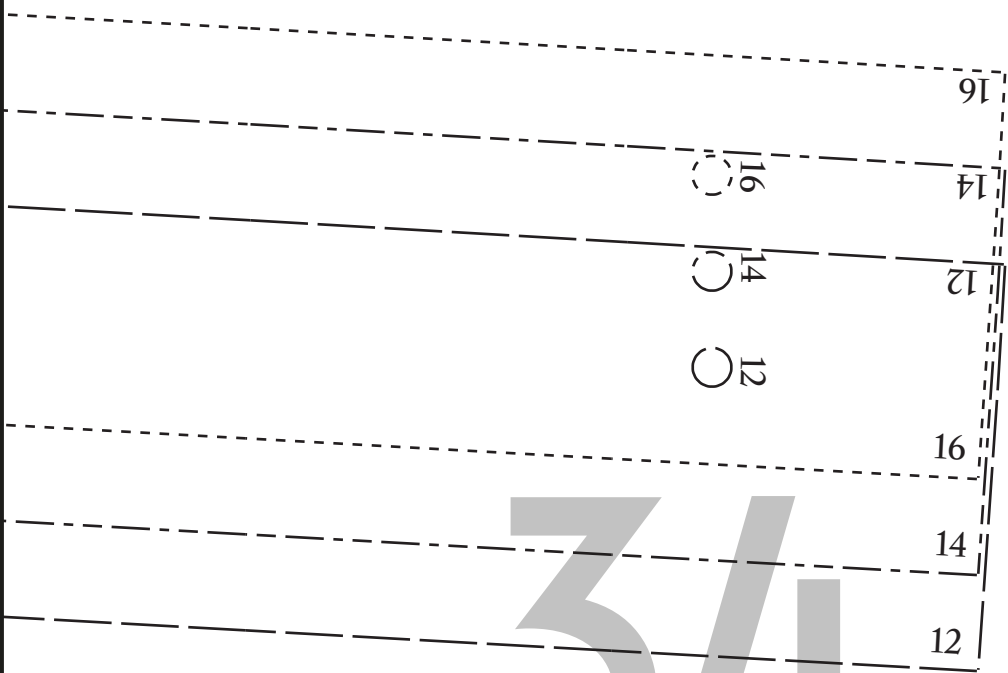
Main Fabric: Cut 1 on fold





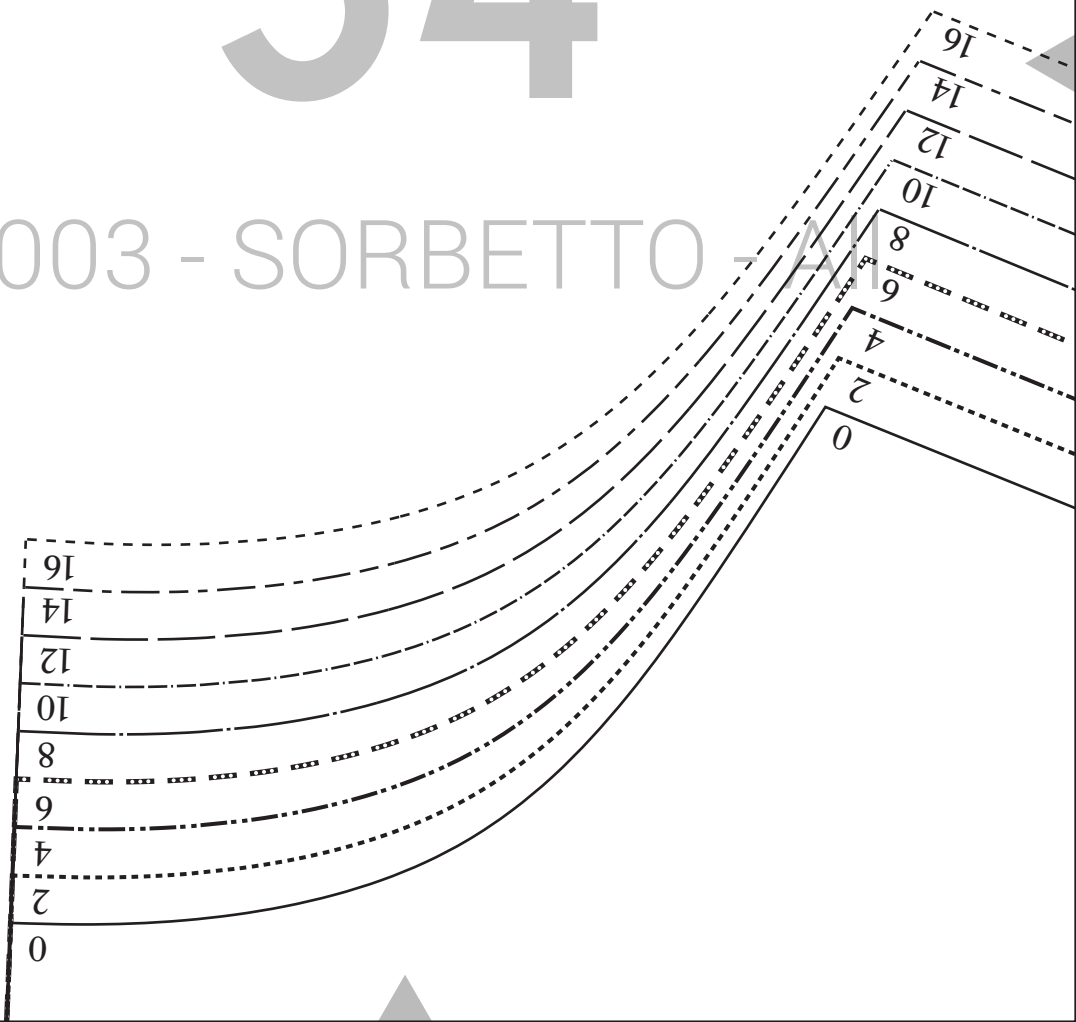
33

0003 - SORBETTO - All



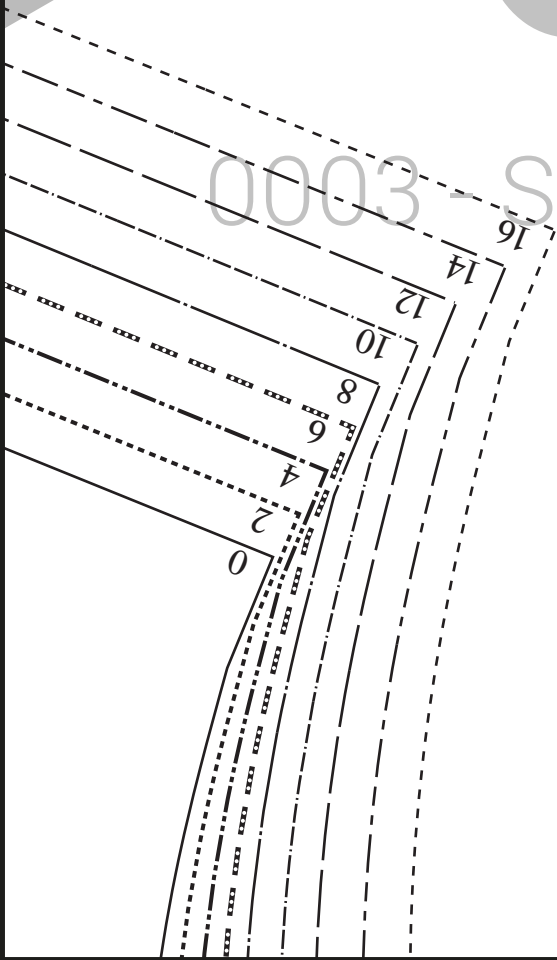
34

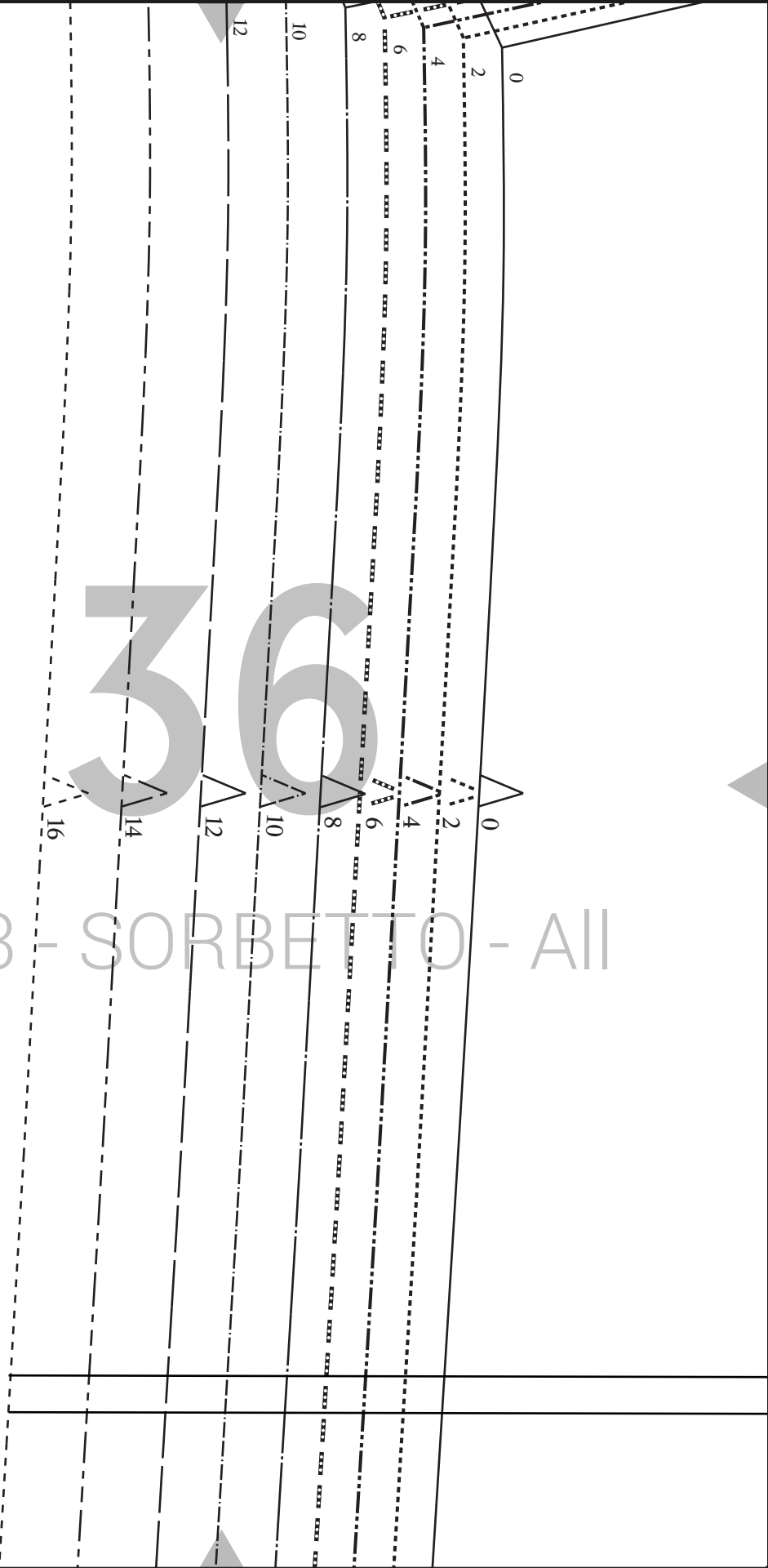
0003 - SORBETTO - 34



35

0003 - SORBETTO - All





0003 - SORBETTO - All

37

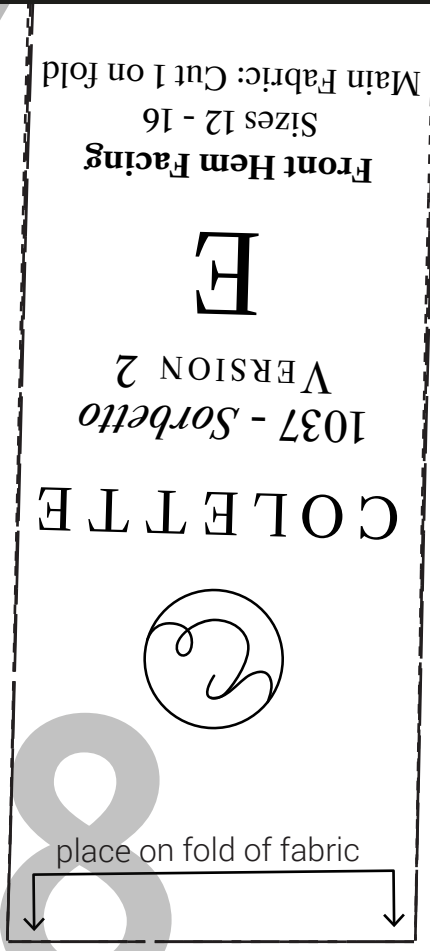
0003 - SORBETTO - All

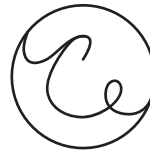
lengthen or shorten here

cut on fold to eliminate pleat

fold line

place on fold of fabric





COLETTE

1037 - *Sorbetto*
VERSION 2

D

Back

Sizes 0 - 16

Main Fabric: Cut 1 on fold

440

0003

SORBITTO

All

0

2

4

6

8

10

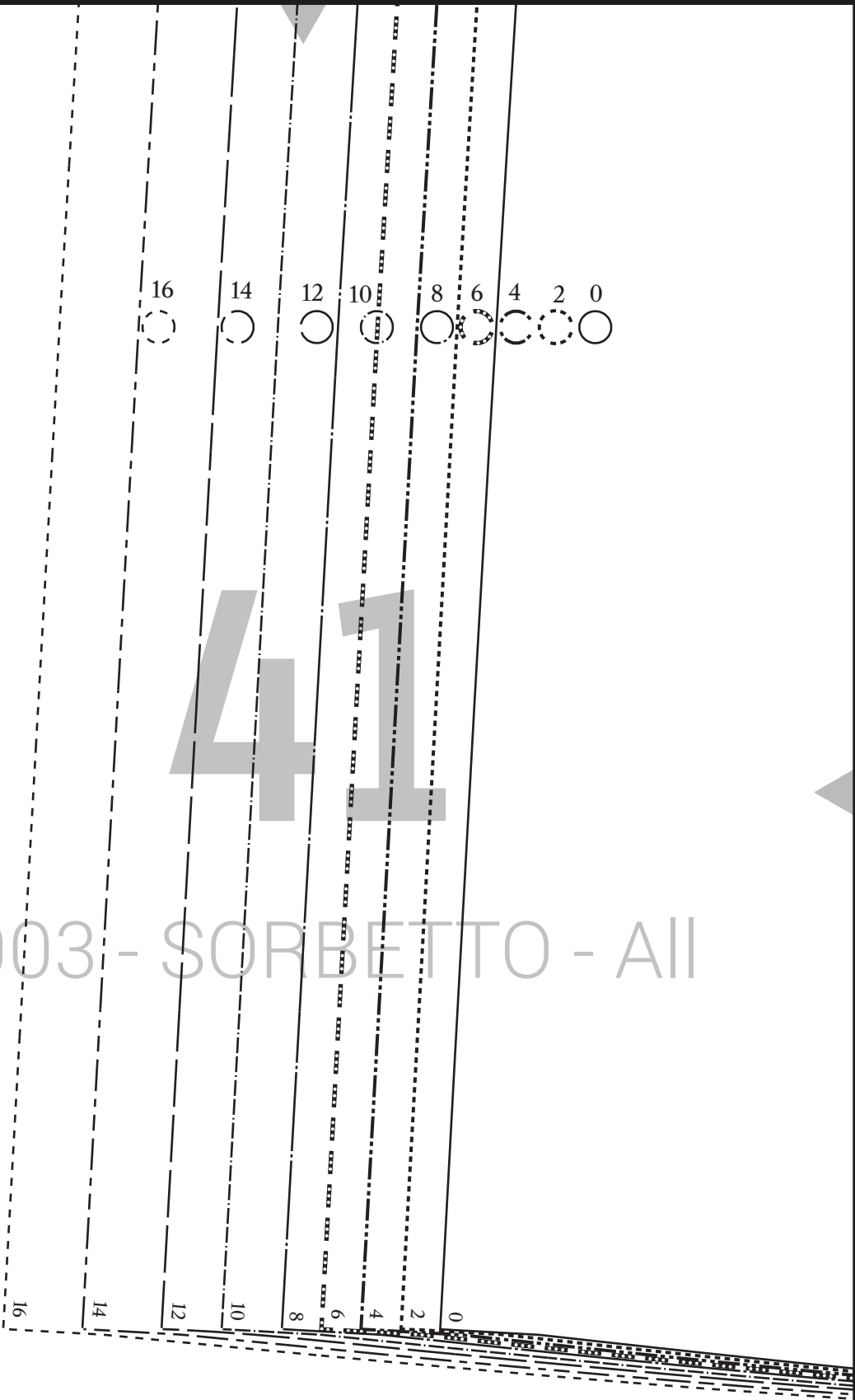
12

14

16

41

0003 - SORBETTO - All

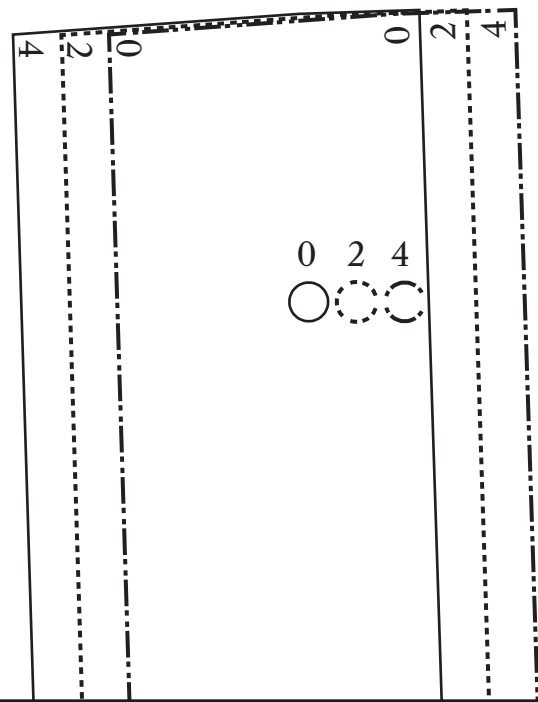


42

0003 - SORBETTO - All

43

0003 - SORBETTO - All



44

place on fold of fabric

0003 - SORBETTO - All

lengthen or shorten here

45

0003 - SORBETTO - All

0

2

4

6

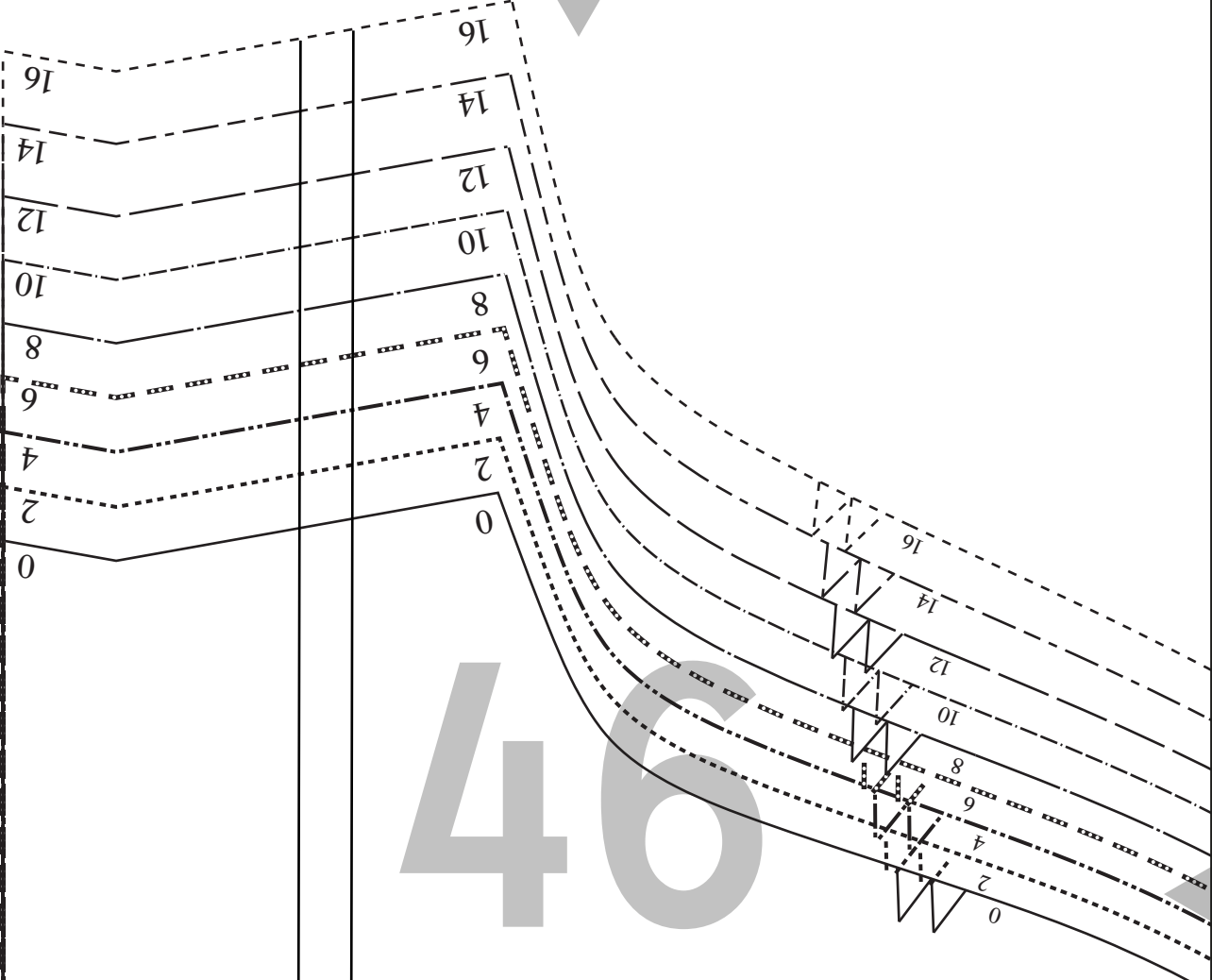
8

10

12

14

16



0003 - SORBETTO - All



COLETTE

1037 - Sorbetto

VERSION 3

I

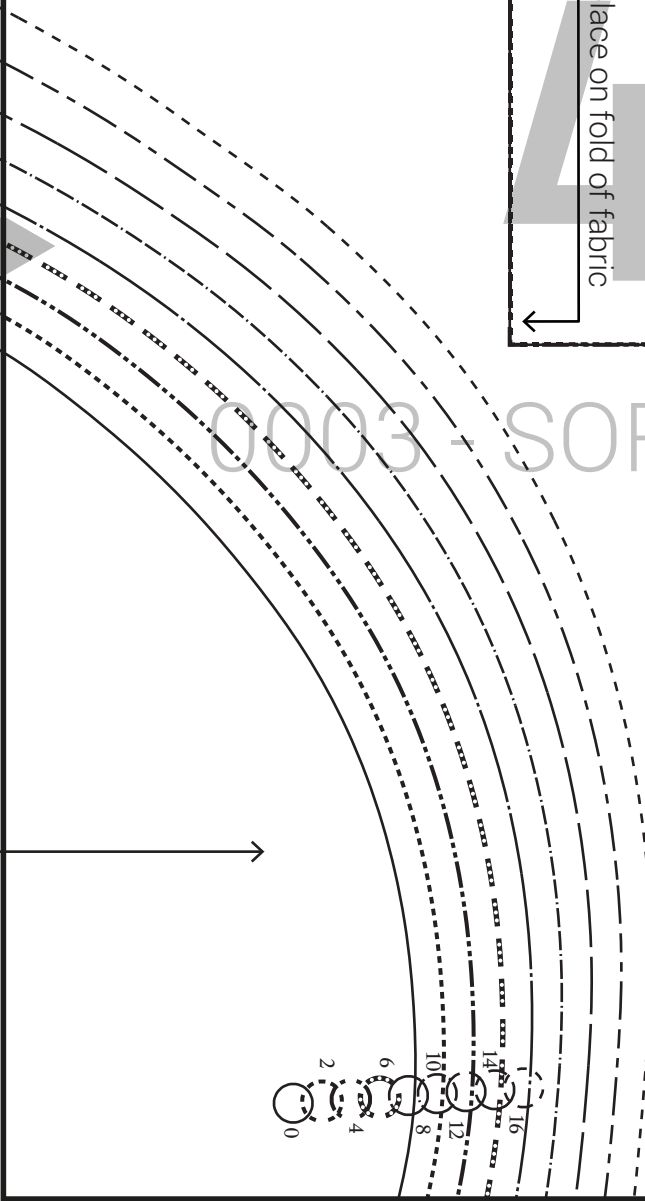
Sleeve

Sizes 0 - 16

Main Fabric: Cut 2

grainline





place on fold of fabric

447

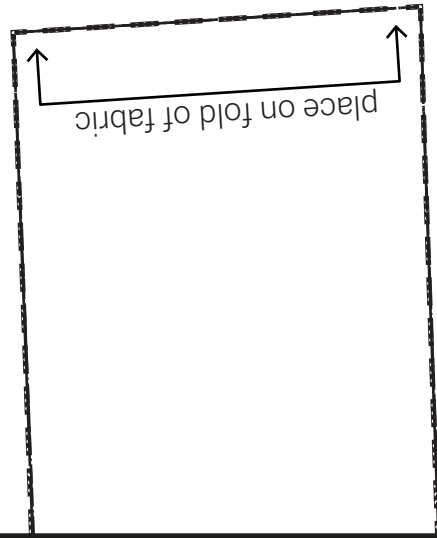
COLETTE

1037 - *Sorbetto*
VERSION 2

F

Back Hem Facing
Sizes 0 - 4
Main Fabric: Cut 1 on fold

0003 - SORBETTO - All



48

0003 - SORBETTO - All

0
2
4

0
2
4

49

0003 - SORBETTO - All

50

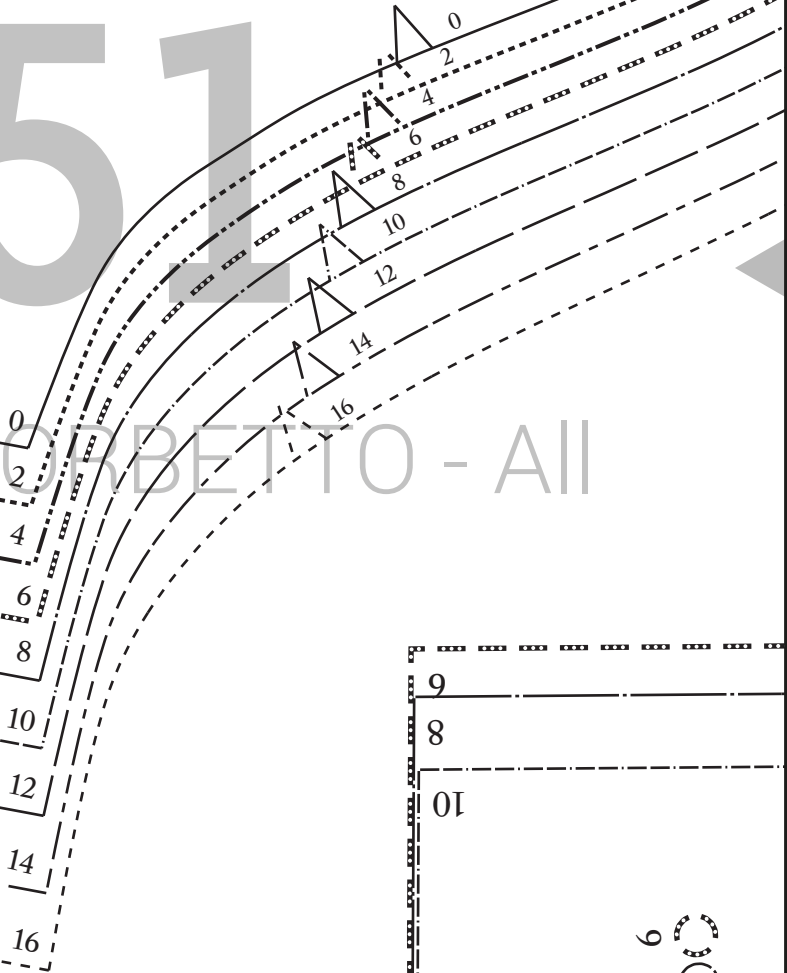
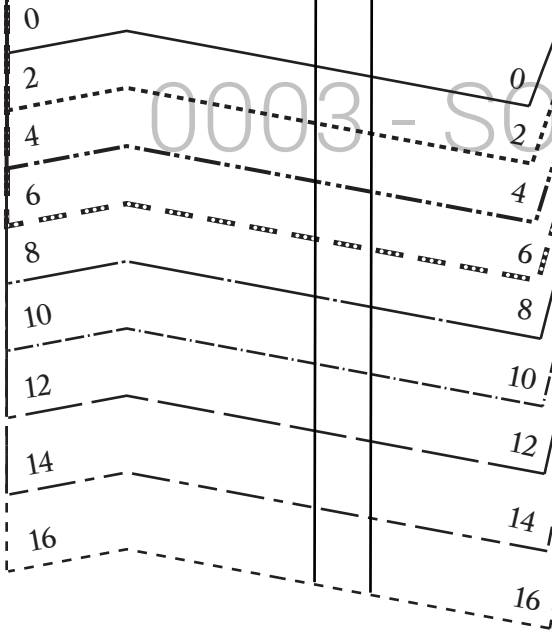
0003 - SORBETTO - All

0 2 4 6 8 10 12 14 16

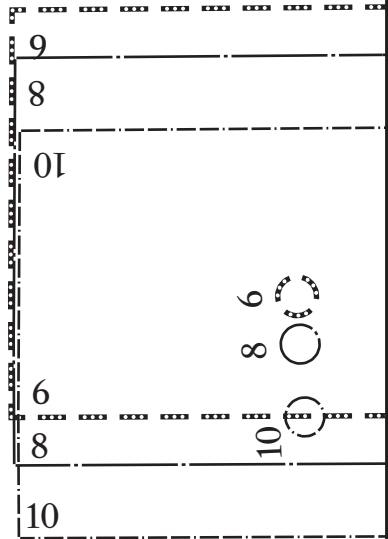
0 2 4 6 8 10 12 14 16

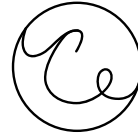
lengthen or shorten here

51



0003 - SORBETTO - All





COLETTE

1037 - *Sorbetto*
VERSION 2

E

Front Hem Facing

Sizes 6 - 10

Main Fabric: Cut 1 on fold

52

0003 - SORBETTO - All

9

8

10

6

8

10